

LOC DW

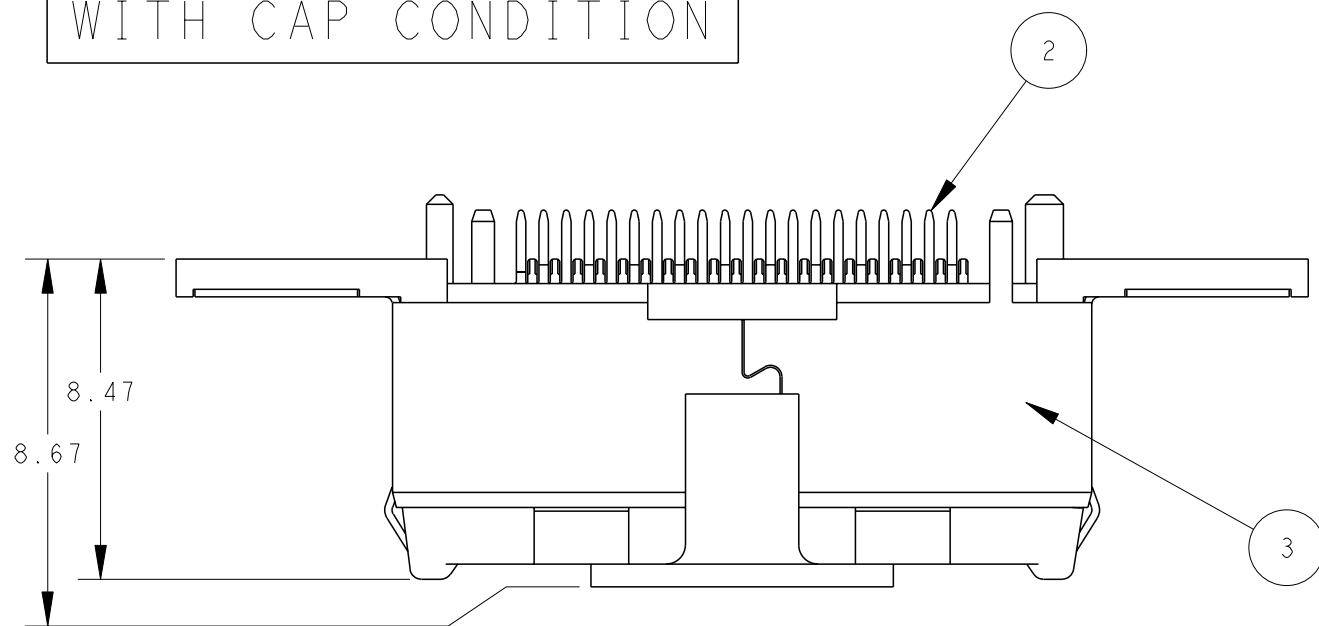
DIST

REVISIONS

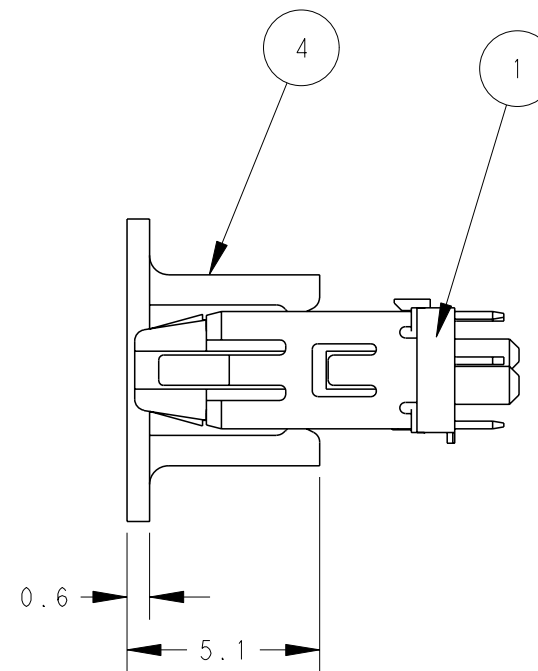
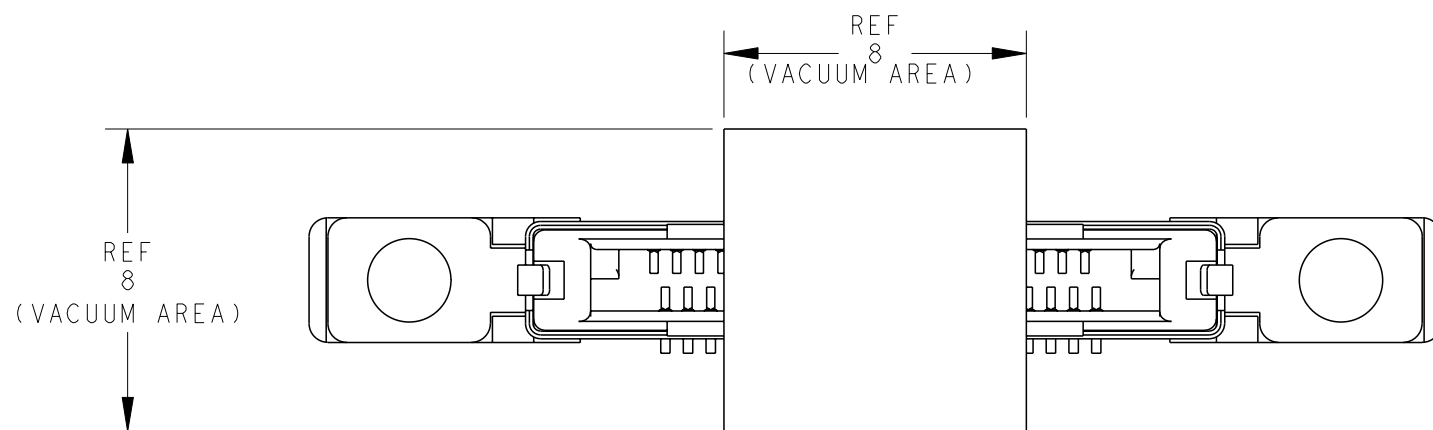
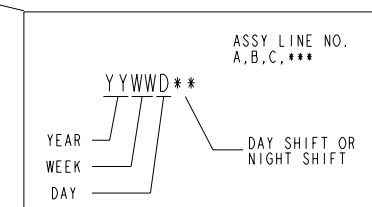
P	LTR	DESCRIPTION	DATE	DWN	APVD
	B	REVISED (ECR-11-013643)	30JUN2011	T.K	H.K

WITH CAP CONDITION

2129261-1; AS SHOWN



- ① MATERIAL: HOUSING: THERMO-PLASTIC(UL94V-0, BLACK).
CONTACT: COPPER ALLOY.
SHELL: STAINLESS STEEL.
CAP: THERMO-PLASTIC(UL94V-0, BLACK).
- ② FINISH:
CONTACT: ALL OVER 2um MIN. Ni UNDER PLATING.
0.38um MIN. Au PLATING ON CONTACT AREA.
1~3um Tin PLATING ON TINE AREA.
SHELL: ALL OVER 1.3um MIN. Ni UNDER PLATING.
- 3. LOW HALOGEN SPECIFICATION
CHLORINE(Cl) : 900 ppm MAX.
BROMINE(Br) : 900 ppm MAX.
- ④ DATE CODE



Q'TY	NAME	ITEM
1	CAP	④
1	SHELL	③
40	CONTACT	②
1	HOUSING	①

THIS DRAWING IS A CONTROLLED DOCUMENT.		DWN T.KUO 21MAR2011	 TE Connectivity		
DIMENSIONS: mm		CHK V.PENG 21MAR2011			
TOLERANCES UNLESS OTHERWISE SPECIFIED:		APVD H.KODAMA 21MAR2011			
0 PLC ± 1 PLC ± ±0.25 2 PLC ± ±3° 3 PLC ± 4 PLC ± ANGLES ±		PRODUCT SPEC 108-99033			
MATERIAL ①	FINISH ②	APPLICATION SPEC	NAME PLUG ASSY, 0.6mm PITCH CHAMP DOCKING CONNECTOR, 40POS	RESTRICTED TO	
		WEIGHT 1.14	SIZE A3	CAGE CODE 00779	DRAWING NO C=2129261
CUSTOMER DRAWING		SCALE 5:1	SHEET 1 OF 5	REV B	

4

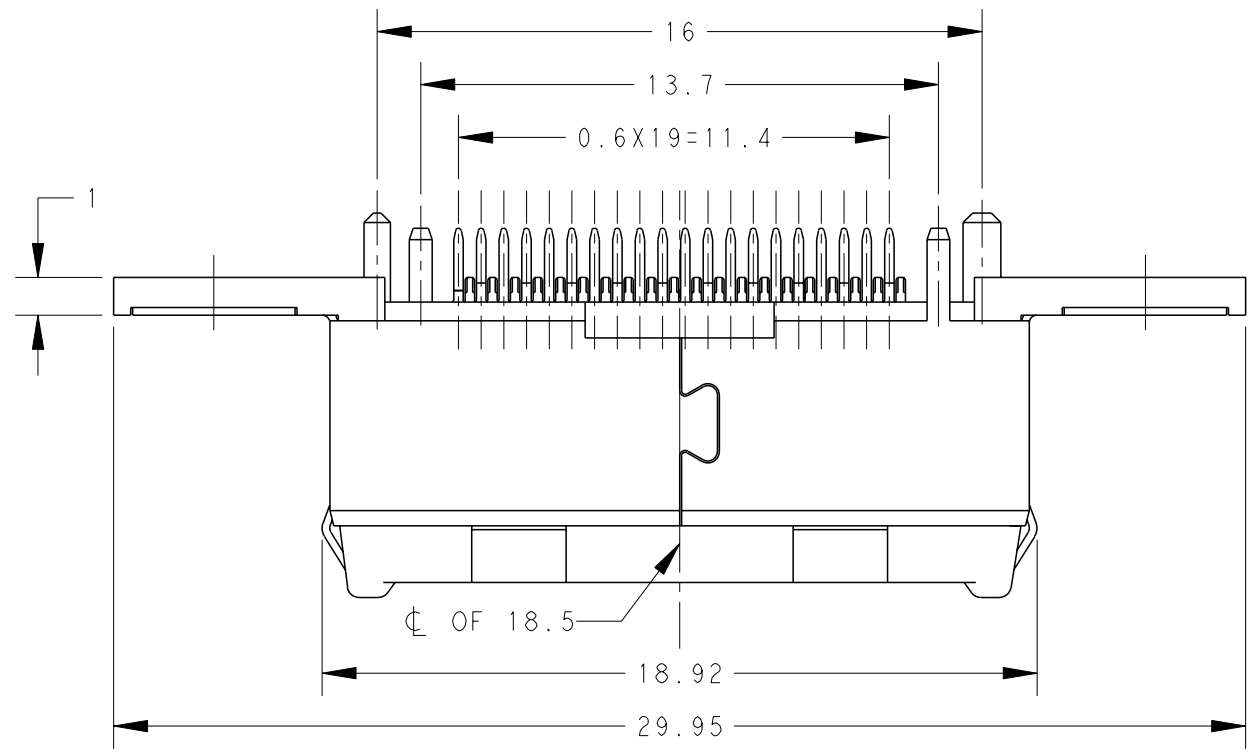
3

2

1

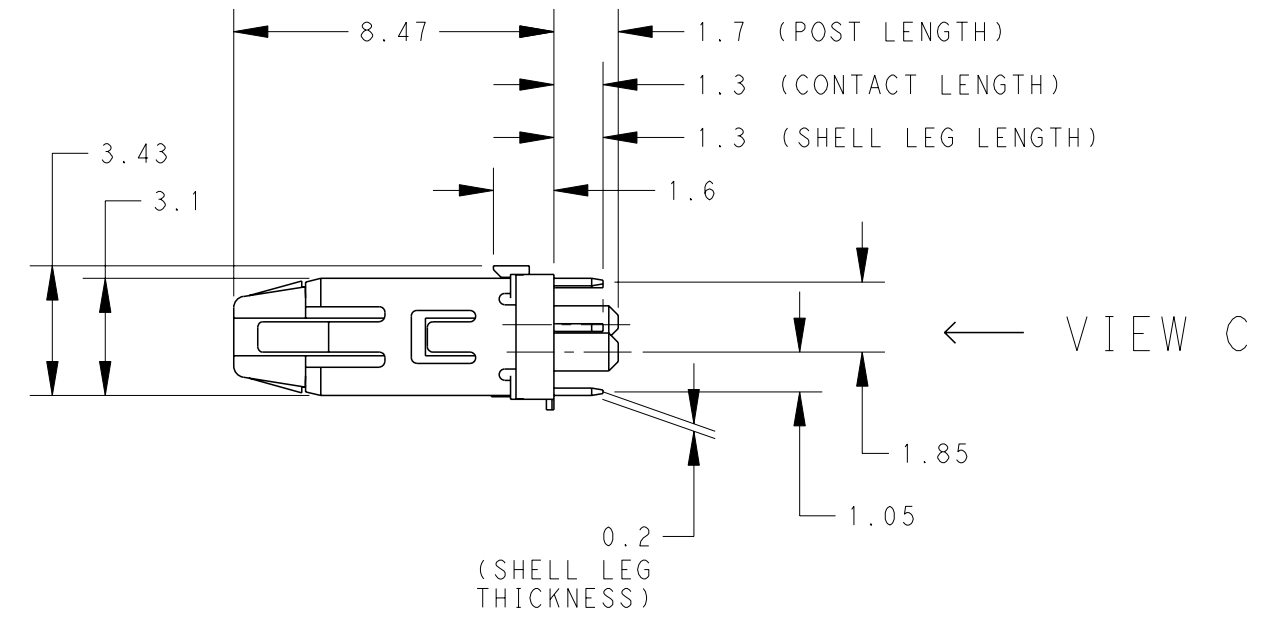
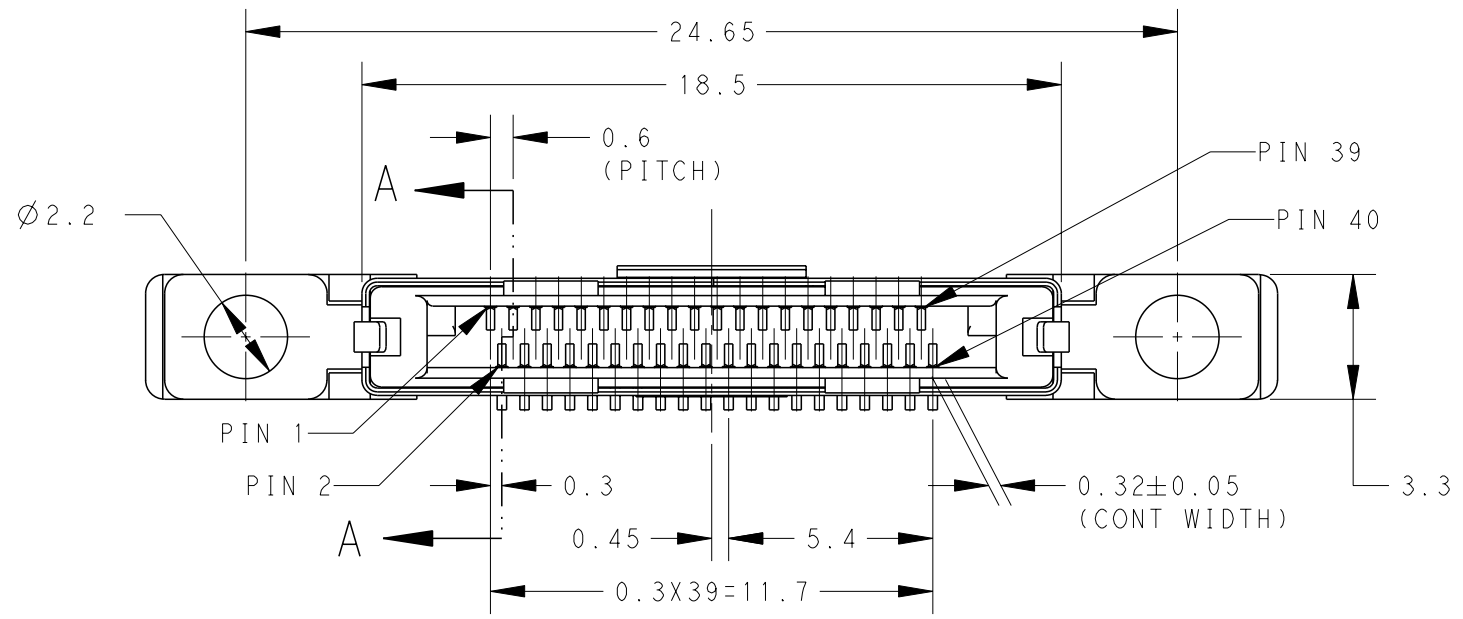
THIS DRAWING IS UNPUBLISHED. RELEASED FOR PUBLICATION 20
 © COPYRIGHT 20 BY - ALL RIGHTS RESERVED.

LOC		DIST		REVISIONS			
P	LTR	DESCRIPTION		DATE	DWN	APVD	
		SEE SHEET 1					



2129261-1; AS SHOWN

W/O CAP CONDITION



VIEW B

VIEW C

THIS DRAWING IS A CONTROLLED DOCUMENT.		DWN	-		
DIMENSIONS: mm		CHK	-		
TOLERANCES UNLESS OTHERWISE SPECIFIED:		APVD	-		
0 PLC	±	PRODUCT SPEC	-		
1 PLC	±	APPLICATION SPEC	-		
2 PLC	±	WEIGHT	0.97g		
3 PLC	±	SIZE	A3		
4 PLC	±	CAGE CODE	00779		
ANGLES	±	DRAWING NO	C=2129261		
FINISH	-	RESTRICTED TO	-		
MATERIAL	-	SCALE	5:1		
CUSTOMER DRAWING		SHEET	2 OF 5		REV B



NAME
 PLUG ASSY, 0.6mm PITCH
 CHAMP DOCKING CONNECTOR, 40POS

4

3

2

1

THIS DRAWING IS UNPUBLISHED.

RELEASED FOR PUBLICATION

20

© COPYRIGHT 20

BY -

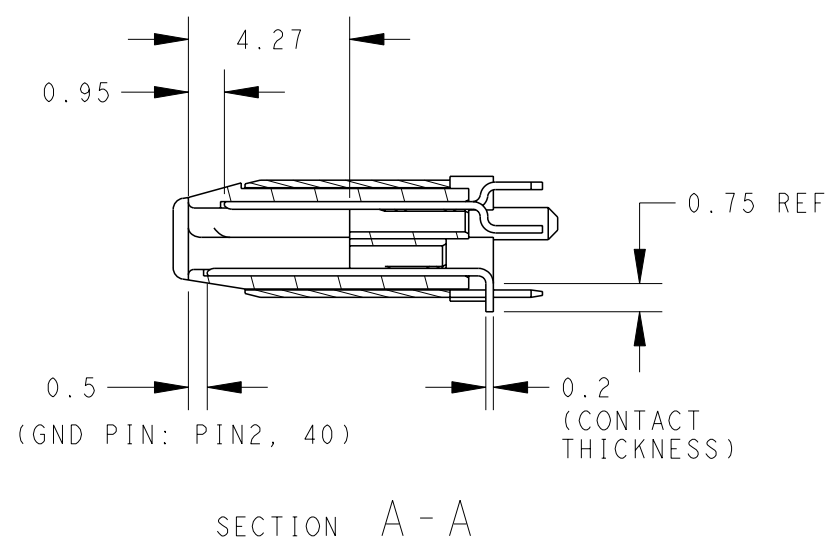
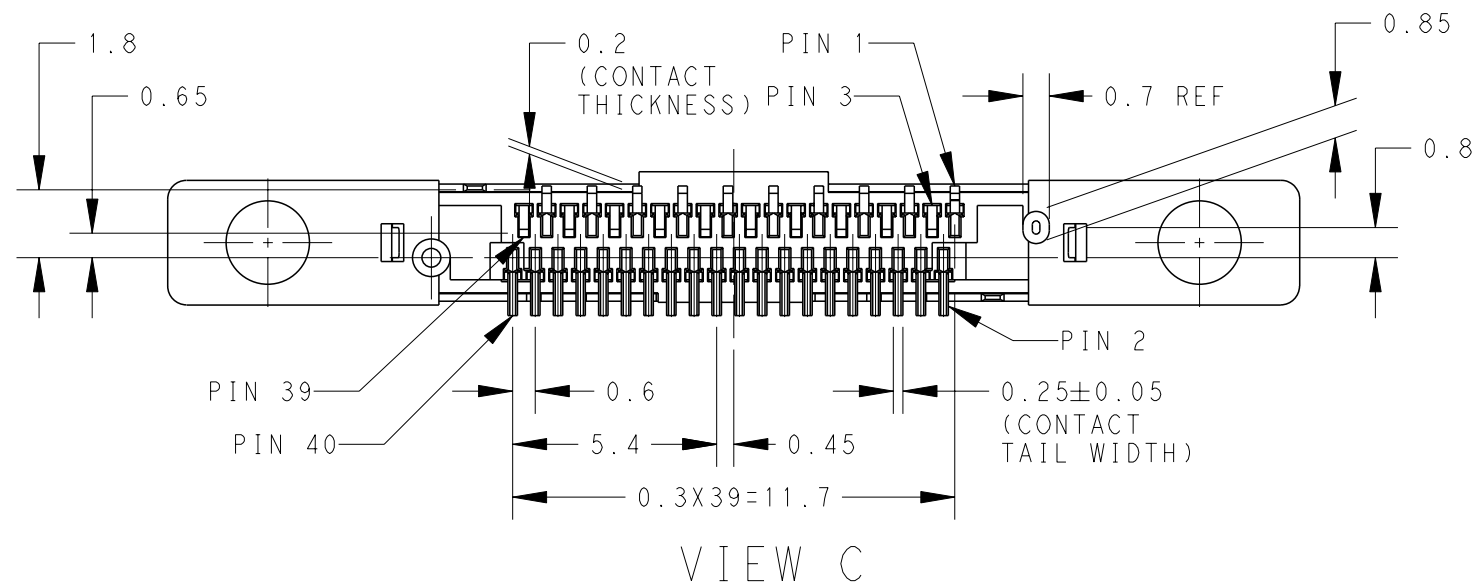
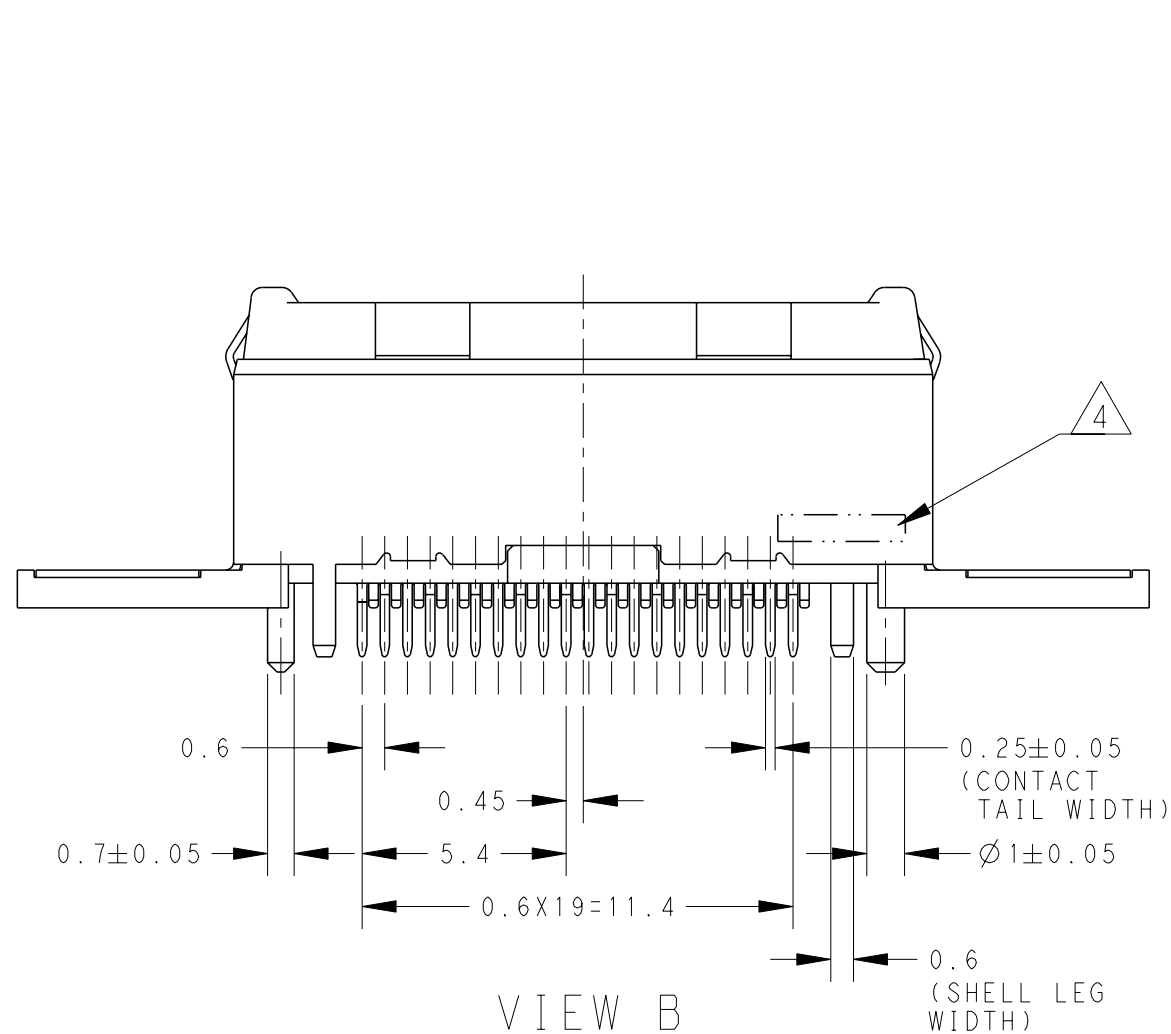
ALL RIGHTS RESERVED.


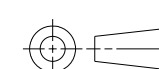
LOC
DW

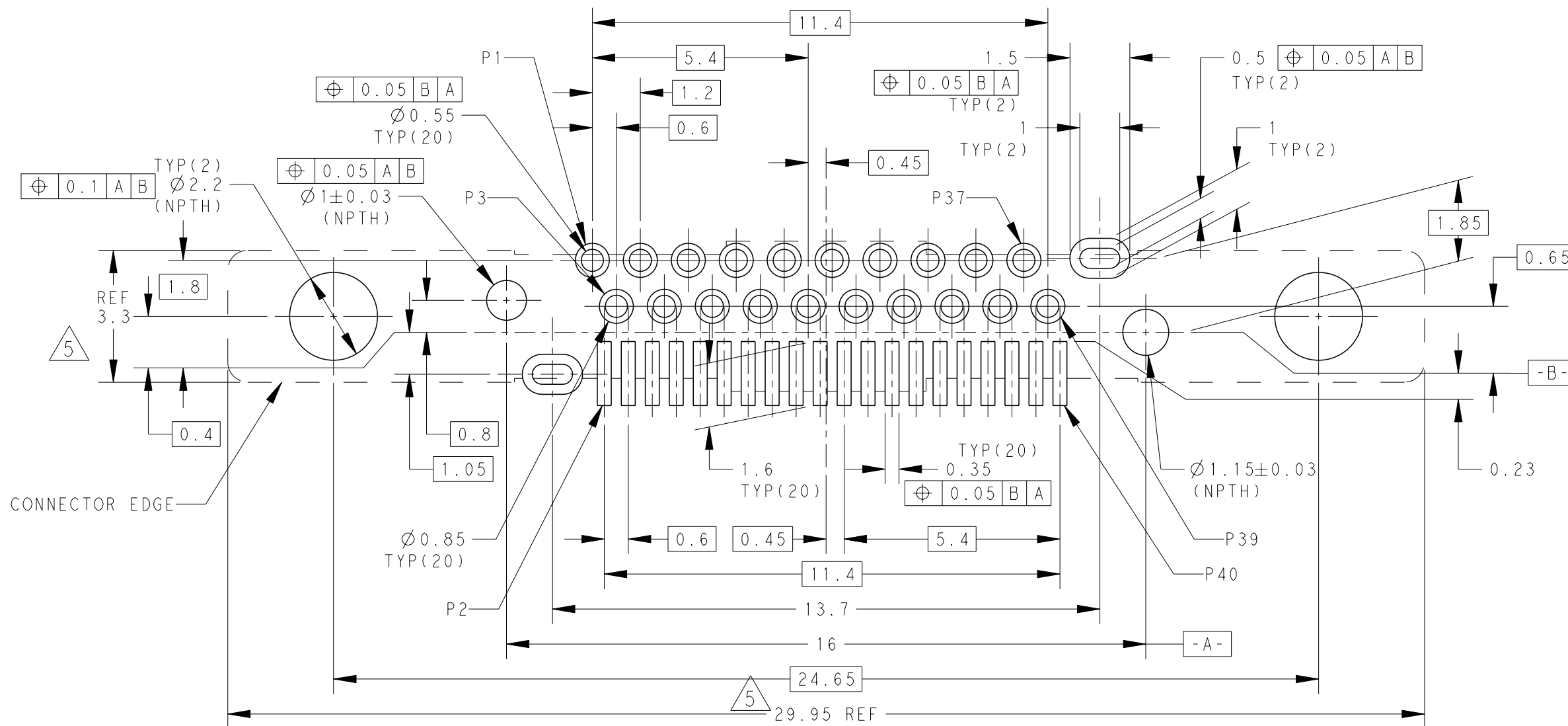
DIST

REVISIONS

P	LTR	DESCRIPTION	DATE	DWN	APVD
		SEE SHEET 1			



THIS DRAWING IS A CONTROLLED DOCUMENT.		DWN	 TE Connectivity		
DIMENSIONS: mm		CHK			
		APVD			
TOLERANCES UNLESS OTHERWISE SPECIFIED:		PRODUCT SPEC			
0 PLC ± 1 PLC ± ±0.25 2 PLC ± ±3° 3 PLC ± 4 PLC ± ANGLES ± FINISH -		APPLICATION SPEC	NAME PLUG ASSY, 0.6mm PITCH CHAMP DOCKING CONNECTOR, 40POS		
MATERIAL -		WEIGHT	SIZE A3	CAGE CODE 00779	DRAWING NO C-2129261
		CUSTOMER DRAWING	SCALE 5:1	SHEET 3	OF 5
				REV B	

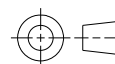


RECOMMENDED P.C. BOARD LAYOUT (TOP VIEW)

5 CONNECTOR OUTLINE

THIS DRAWING IS A CONTROLLED DOCUMENT.

DIMENSIONS:
mm



TOLERANCES UNLESS OTHERWISE SPECIFIED:

- 0 PLC ± ±0.05
- 1 PLC ± ±0.05
- 2 PLC ± ±3°
- 3 PLC ± ±
- 4 PLC ± ±
- ANGLES ± ±
- FINISH -

MATERIAL -

DWN	-
CHK	-
APVD	-
PRODUCT SPEC	-
APPLICATION SPEC	-
WEIGHT	-



TE Connectivity

NAME
PLUG ASSY, 0.6mm PITCH
CHAMP DOCKING CONNECTOR, 40POS

SIZE	CAGE CODE	DRAWING NO	RESTRICTED TO
A3	00779	C=2129261	-

CUSTOMER DRAWING

SCALE 8:1

SHEET 4 OF 5

REV B

4

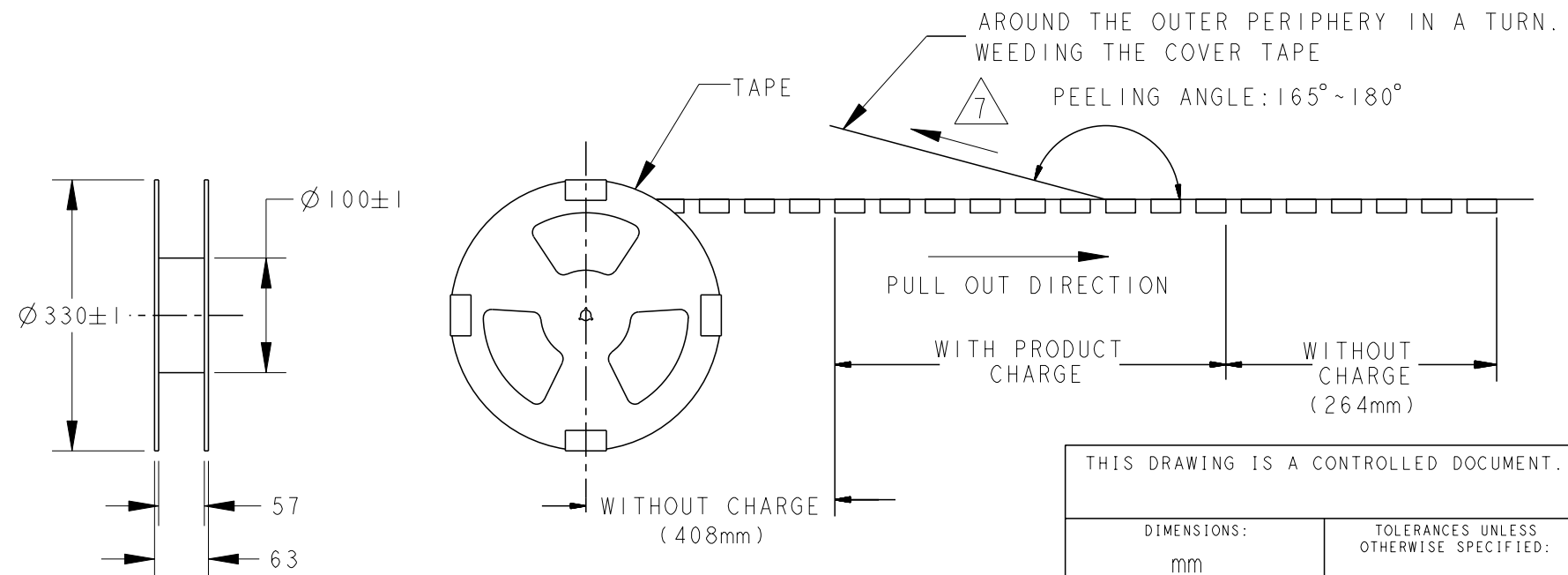
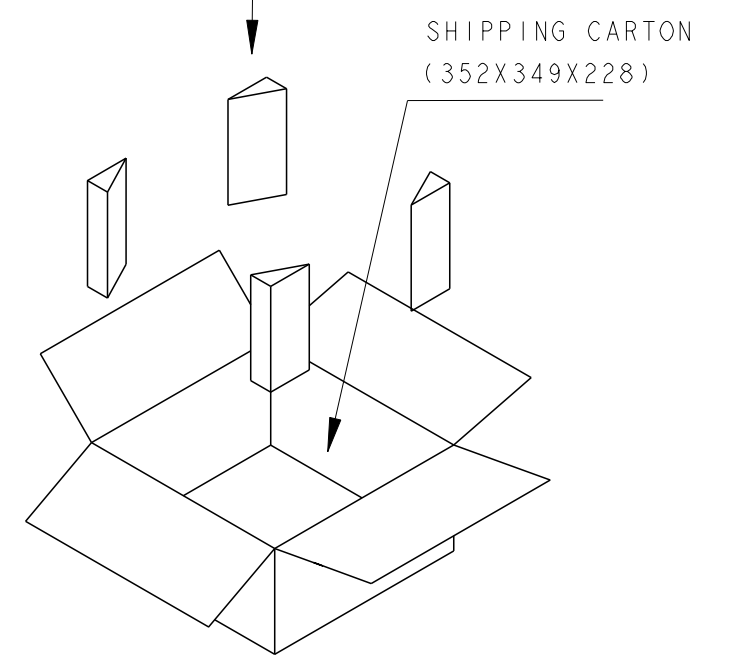
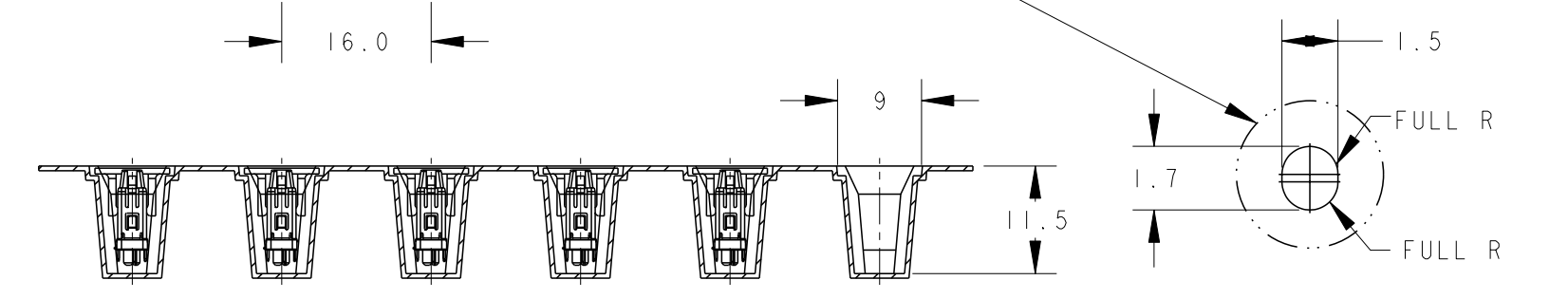
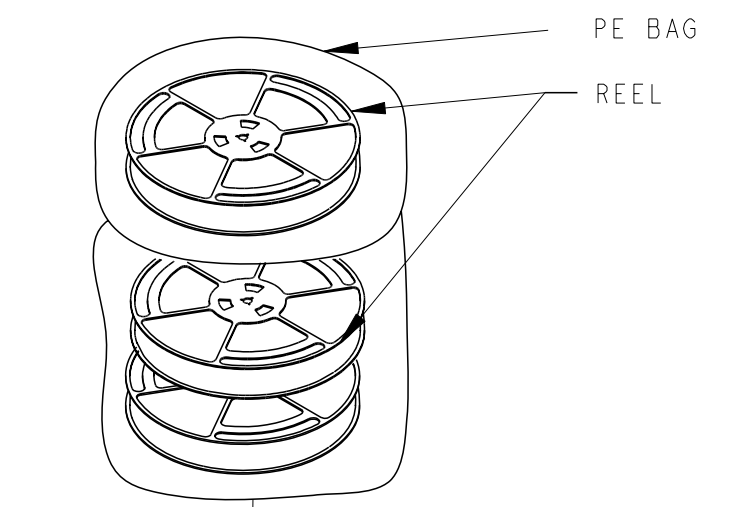
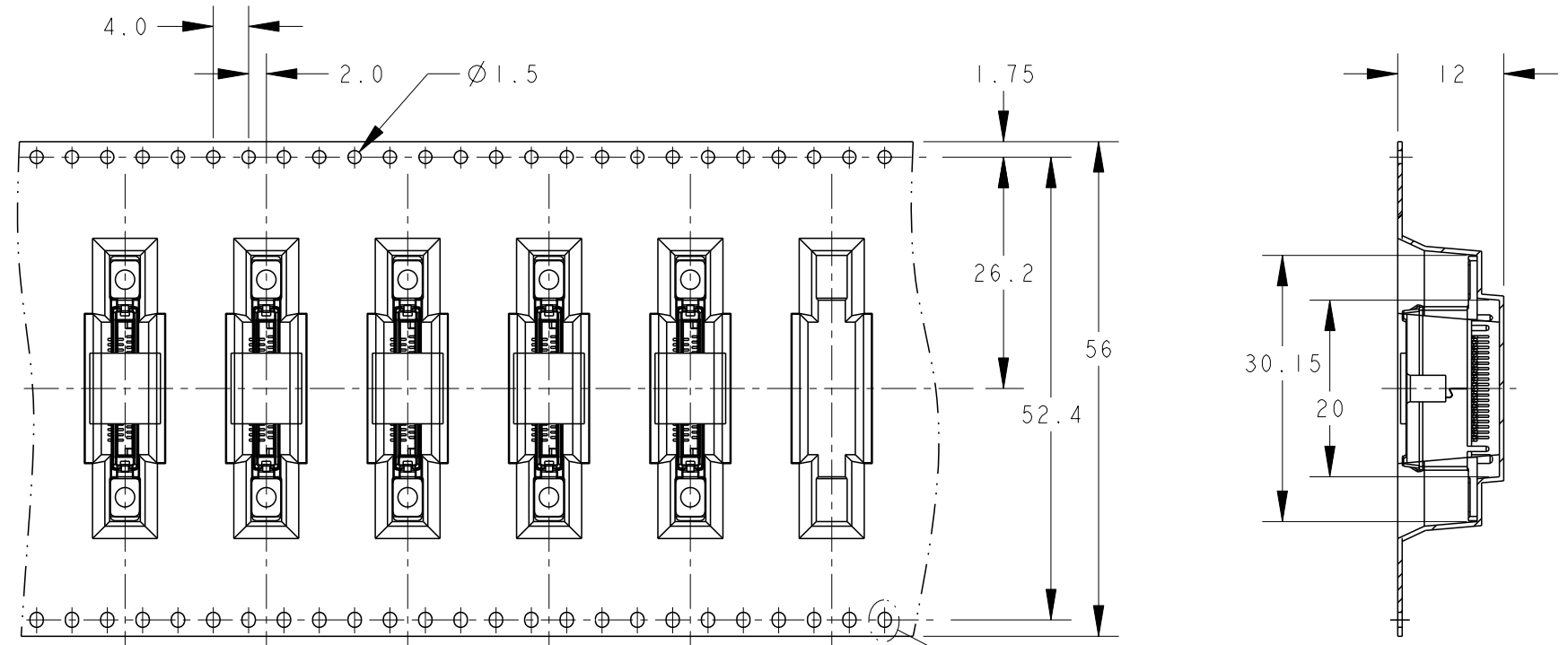
3

2

1

THIS DRAWING IS UNPUBLISHED. RELEASED FOR PUBLICATION 20
 © COPYRIGHT 20 BY - ALL RIGHTS RESERVED.

LOC		DIST		REVISIONS					
DW		-		P	LTR	DESCRIPTION	DATE	DWN	APVD
SEE SHEET 1									



6. PACKING MATERIAL:
 CARRY TAPE: PS; COLOR:BLACK.
 COVER TAPE: PET; COLOR: CLEAR.
 PEELING STRENGTH OF COVER TAPE: 0.2N~1.2N

300	3	900
PCS/ TAPE	REELS/ CARTON	TOTAL QUANTITY

THIS DRAWING IS A CONTROLLED DOCUMENT.		DWN	-	 TE Connectivity	
DIMENSIONS: mm		CHK	-		
TOLERANCES UNLESS OTHERWISE SPECIFIED:		APVD	-		
0 PLC ± 1 PLC ± ±0.5 2 PLC ± ±3° 3 PLC ± 4 PLC ± ANGLES ± FINISH -		PRODUCT SPEC	-		
MATERIAL -		APPLICATION SPEC	-	NAME PLUG ASSY, 0.6mm PITCH CHAMP DOCKING CONNECTOR, 40POS	
		WEIGHT	-	SIZE	A3
		CUSTOMER DRAWING	-	CAGE CODE	00779
			-	DRAWING NO	C=2129261
			-	RESTRICTED TO	-
			-	SCALE	5:1
			-	SHEET	5 OF 5
			-	REV	B

Mouser Electronics

Authorized Distributor

Click to View Pricing, Inventory, Delivery & Lifecycle Information:

[TE Connectivity:](#)

[2129261-1](#)